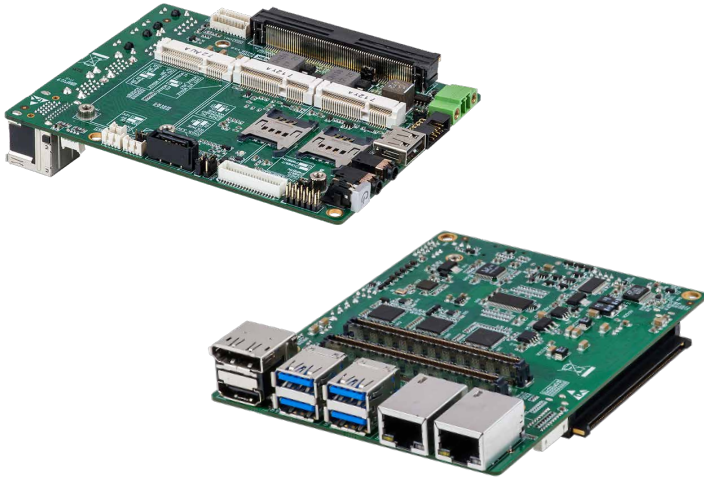


T615

COM Express Type 6 Carrier Board



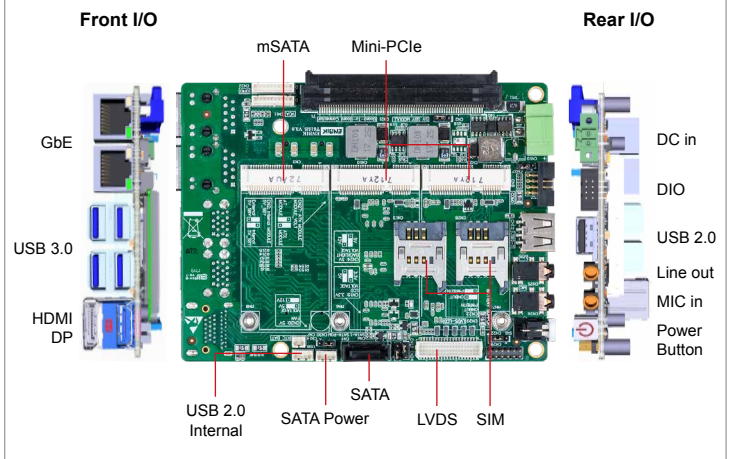
Features

- COM Express™ Type 6 Rev. 2.1 compliant
- Compact size: 125 x 95 mm
- Wide-range DC voltage input: 9V~32Vdc
- Supports 3rd Gen. ~ 7th Gen. Intel® Core™ i7, i5, i3 processor
- Support multiple displays: 1x HDMI/VGA, 1x DP, LVDS
- 2x Mini-PCIe with USIM socket
- 1x mSATA socket, 1x SATA
- 4x USB3.0/2.0, 1x USB2.0, 1x USB2.0 Internal
- 2x GbE Ethernet, 2x RS-232

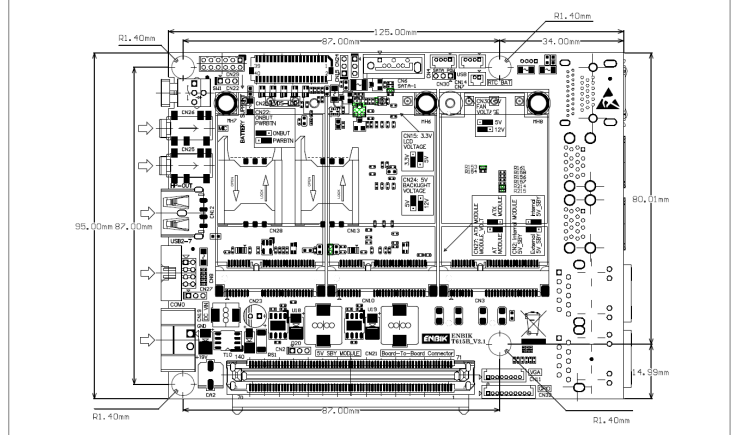
Specifications

CPU Module	
COM Express	COM Express™ Type 6 Rev. 2.1 compliant, Basic size or Compact size
CPU	x86 CPU
Display	
HDMI	1x HDMI (Share with VGA)
DP	1x DisplayPort
VGA	1x internal wafer (Share with HDMI)
LVDS	24-bit Dual channel
Storage	
SATA	1x mSATA socket, 1x SATA (7-pin)
USIM	2x USIM socket
I/O Interface	
Ethernet	2x EJA5 GbE
USB	4x USB 3.0/2.0, 1x USB 2.0, 1x USB 2.0 internal
Audio	1x Line-out, 1x MIC-in
UART (Serial Port)	2x RS-232 (Tx/D, Rx/D signal only)
Digital IO	4-bit GPI, 4-bit GPO
Expansion	
Mini-PCIe	2x Full-Length Mini-PCIe socket (PCIe + USB + SIM)
Others	
Watchdog Timer	Multistage
Smart Battery Management	ACPI 5.0 compliant
Miscellaneous	5x PCIe x1 (*), 2x SATA (*), 1x DDI(*), LPC, SMB, I2C, Power button, reset button, HDD LED (*Depends on CPU module)
Operating System	
Windows/Linux	Depends on CPU module
Power	
DC Input Voltage	9V~32Vdc
OS Support	
Windows/Linux	Depends on CPU module
Mechanical	
Weight	
Dimensions	125 x 95 mm
Environment	
Operation Temperature	-20°C ~ 70°C
Storage Temperature	-45°C ~ 85°C
Operation Humidity	10% to 90%, non-condensing
Storage Humidity	5% to 95%, non-condensing
Certification	CE/FCC Class A

I/O Interfaces



Dimensions



I/O Comparison Chart

Model Name	DP	DDI/VGA	LVDS	GbE (RJ45)	DIO	USB 3.0	USB 2.0	RS-232	Mini-PCIe	mSATA
T615	1	1	24-bit Dual channel	2	4-bit DI & 4-bit DO	4	2	2	2	1
T615V										

Ordering Information

Model Name		Article Number (A/N)
T615	COMe Type 6 Carrier Board (Horizontal Connector), 1x DDI/VGA, 1x DP, 1x LVDS, 2x RJ45 GbE, 4x USB 3.0, 2x USB 2.0, 2x RS-232, 4-bit DI & 4-bit DO	7421-615100
T615V	COMe Type 6 Carrier Board (Vertical stack Connector), 1x DDI/VGA, 1x DP, 1x LVDS, 2x RJ45 GbE, 4x USB 3.0, 2x USB 2.0, 2x RS-232, 4-bit DI & 4-bit DO	7421-615200